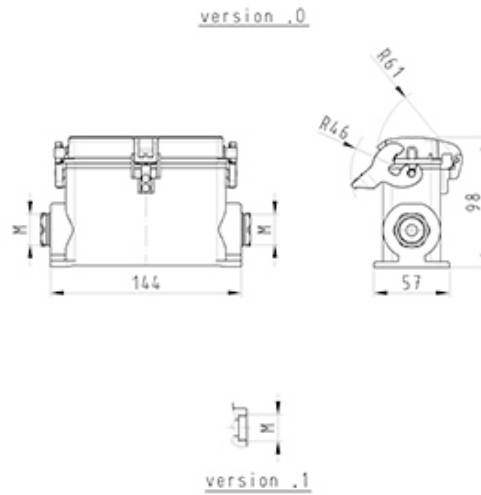


Datasheet

Item No. 76.344.6435.1

Bottom BAS GUT GR 64HM32 50 A1

revos BASIC 500V size 24H closed-bottom base with 2 threaded collars M32, with cover, high design, single locking lever



Item No.	76.344.6435.1
EAN	4015573630079
order unit	1 Piece(s)

Approvals



Technical data

General

ArticlePrice	udp_no_price
Nominal voltage	500
Housing material	Aluminium
Colour	Grey
Surface	With powder coating
Degree of protection (IP)	Other
UV resistant	Yes
Inflammability class of insulation material acc. with UL94	Other
Operating temperature range min.	-40 °C
Operating temperature range max.	120 °C

Model

DIN-size	24H
Model	Surface mounting (base)
Locking mechanism	Single locking lever
Cable entry	Two-sided
Type of cable	Thread
With cable screw gland	No
Thread size M	32
Hinged lid	Yes
EMC-version	No